



SVS08 / 12B / 15 / 16 VOLTAGE STABILISER

VOLTAGE STABILISATION AND PROTECTION FOR ALL ELECTRICAL AND ELECTRONIC EQUIPMENT

DESCRIPTION

The Sollatek Voltage Stabiliser (SVS) 08-16 range ensures optimal performance for your electrical and electronic appliances, shielding them from the detrimental effects of voltage fluctuations. It is designed to monitor and correct the incoming supply continuously. If the voltage rises or drops, the SVS will stabilise the output to ensure that the voltage reaching your equipment remains constant at 230V (+6%), within the operating range of the unit.

There are 4 models in this range rated at 8, 12, 15 and 16 Amps to cover a variety of applications. Equipped with a sophisticated digital processor, the Sollatek SVS constantly monitors and stabilises the power supply, guaranteeing a steady and reliable voltage for your equipment.

Should the input voltage rises or drops beyond reasonable correctable levels, the in-built Automatic Voltage Switcher (AVS) disconnects the output, adding an extra layer of safeguarding for your valuable appliances. The SVS continues to monitor the voltage levels and resumes power only when conditions are safe.

The SVS line boasts a 12-LED display panel for voltage indication, featuring 7 LEDs for input voltage and 5 LEDs for output voltage. Encased in a robust, compact, and corrosion-resistant ABS enclosure, the Sollatek SVS is a hassle-free plug-and-play device, requiring no complex setup.

APPLICATIONS

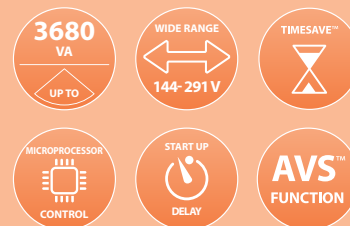
The SVS 08-16 range are compatible with a wide array of electrical and electronic appliances, encompassing everything from refrigerators, freezers, televisions, multimedia devices, satellites, computers. Larger SVS models are also suitable for air conditioners and photocopiers (SVS15/16 only).

FEATURES

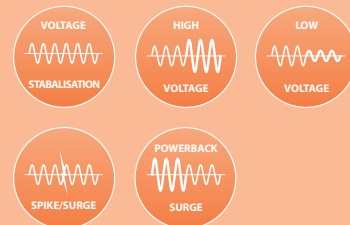
- Microprocessor controlled stabiliser
- Extremely fast response
- Very wide input voltage range (-26% to +19%)
- Excellent output voltage stability ($\pm 6\%$)
- Includes surge and spike suppression and protection
- Incorporates over & under voltage disconnect (AVS™ function) when mains is extreme and outside working limits
- Startup delay to allow neutralisation of compressor gases, critical in such applications
- Incorporates TIMESAVE™ Function (10 second start-up delay after long duration powercut)
- Small and lightweight, available with different plug & socket combinations
- British Design



FEATURES



PROTECTION AGAINST



PROTECTION FOR



Always ensure that the current rating of your appliance does not exceed the current rating of the corresponding SVS model.

TECHNICAL SPECIFICATION

INPUT & OUTPUT					
Model		SVS08	SVS12B	SVS15	SVS16
Nominal Voltage		230 V			
Stabilisation Range	Input -26% to +19%	±6% (216 to 244 V)			
	Input -29% to +23%	±10% (207 to 253 V)			
Operating Voltage	Over Voltage	Disconnect	291 V		
		Reconnect	286 V		
	Under Voltage	Disconnect	144 V		
		Reconnect	149 V		
Frequency Range		45 to 75 Hz			
Load Current		8 A	12 A	15 A	16 A
Inrush Current		78 A (TV-5)			
GENERAL					
Derating Factor		10% to 15% per 10°C above 40°C			
Synchronisation		Output synchronised to input			
Permissible Overload		1000% for 100ms, 150% for 4 minutes, 110% for 15 minutes			
Load Types		Fridges, Freezers, TV, Multimedia, Satellites, IT Equipment, Computers and A/C (SVS15/16 only)			
Status Indicator		x7 LEDs for Input voltage status x5 LEDs for Output voltage status			
Technology		Transformer tap switching using relays			
Efficiency		>97% (at 100% linear load)			
Control		Micro-controller based control system provides self checks, system integrity, monitoring and diagnostic indicators			
Control Protection		Internal surge arrestors and filters in control circuit protect against disturbances. Filtering algorithms and fault tolerant software protect against disturbances and false measurements			
Ambient Temp Range		0°C to 55°C			
Relative Humidity		< 95%, non condensing			
Environmental Protection		IP20			
Acoustic Noise		< 45 dB (A)			
Expected Service Life		> 10 years			
Standards		CE, EN 61558-1, EN 61558-2-13, EN 55014-1, EN 61000-3-2, EN 61000-3-3, EN 61000-4-2, EN 61000-4-3, EN 61000-4-4, EN 61000-4-5, EN 61000-4-6, EN 61000-4-11			
Correction Speed		764 Volts per second			
Response		Within 0.1 second			
Wait Time on Start Up		10 s, 3 min or 6 min (depending on model)			
Power Factors		Unaffected by load power factor			
AVS™ Function		Automatic voltage switcher: output is switched off to protect device against over and under voltage and automatically reconnects when safe			
TimeSave™ Function		Reduced startup delay if unit was off for more than the standard delay period to 10 seconds			
MECHANICAL					
Connection		Plug and Socket			
Unit Dimensions WxHxD		162 x 132 x 275 mm			
Unit Weight		7.2 kg	9.0 kg		
Packing		Carton		Pallet	
Dimensions WxHxD		190 x 180 x 560 mm		1000 x 1050 x 1200 mm	
Quantity		1 carton (2 units)		25 cartons (50 units)	

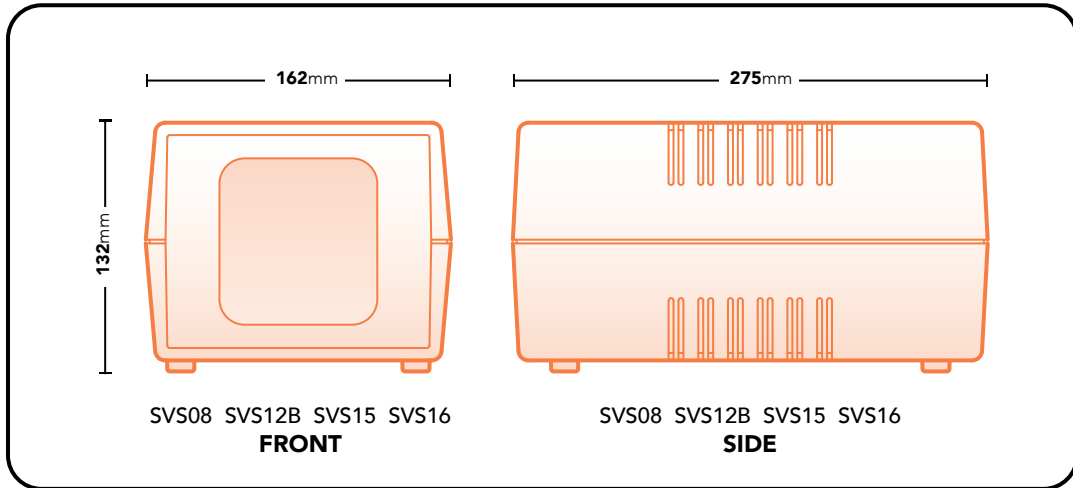
VOLTAGE TABLE

INPUT	OUTPUT
0-144	OFF
145	182
155	196
165	208
175	221
185	233
195	221
205	232
210	237
215	215
225	225
235	235
240	240
245	218
255	228
265	237
275	248
285	255
290	259
291	OFF

All weights and dimensions are approximate. Specifications are subject to change without prior notice. ©Sollatek (UK) Limited 2023. All Rights Reserved.

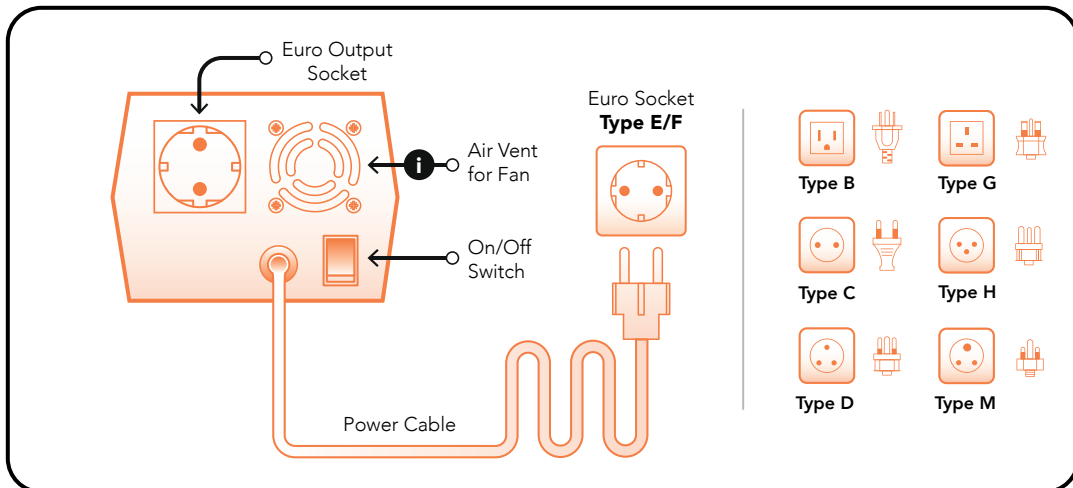


DIMENSIONAL DIAGRAM



i The diagrams presented are for illustrative purposes only. Detailed drawings are available upon request.

REAR PANEL DIAGRAM



+ Alternative plug types available: Type B, C, D, G, H and M. Other plug types not listed available upon request.

i SVS08 & SVS12B – Vent only
SVS15 & SVS16 – Vent and Fan

PRODUCT CODE

DESCRIPTION

98208013	SVS08(06)-22-UK13 8A/6A-CE 230V 50-60Hz
98208222	SVS08-22 8A 2kVA CE 230V 50-60Hz Euro
98212010	SVS12B(10)-22 CE UK13 12.5/10 230V
98215015	SVS15-22-UK15 15A 3.5kVA CE 230V 50-60Hz
98215522	SVS15-22 15A 220VAC US Skt Nema L6-15R
98216221	SVS16(15)-22 16/15A Euro 230V 10sec LD
98216222	SVS16(15)-22-CE 16-15A 230V 50/60Hz Euro

SOLLATEK (UK) LIMITED

Sollatek House, Waterside Drive, Langley, Slough SL3 6EZ, United Kingdom

Tel: +44 (1753) 214 500
Email: sales@sollatek.com
Web: www.sollatek.com

ISO9001: 2015 accredited company
All weights and dimensions are approximate. Specifications are subject to change without prior notice. ©Sollatek (UK) Limited 2023. All Rights Reserved. SOLLATEK and the SOLLATEK device are the trade marks of the Sollatek group of companies.

